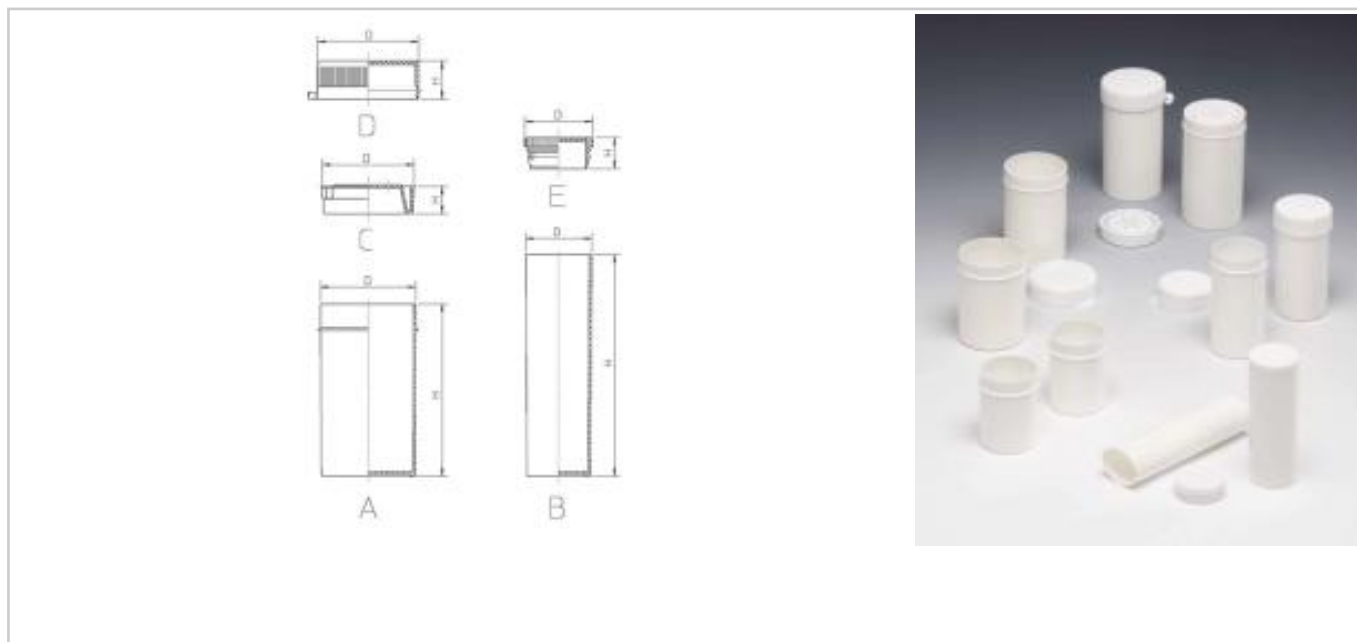


TUBES AND TAMPER EVIDET CAP



rif	Description	Code	Material	D	H
A1	Tube Ø28 x 51	290285100XX	PP COPO	28,5	51,0
A2	Tube Ø28 x 74	290287400XX	PP COPO	28,5	74,0
D1	Tamper evident closure Ø28	290185700XX	PELD	30,7	14,0
A3	Tube Ø35 x 64	290356400XX	PP COPO	35,0	63,5
A4	Tube Ø35 x 71	290357100XX	PP COPO	35,0	71,5
A5	Tube Ø35 x 84	290358400XX	PP COPO	35,0	84,0
C1	Reducer for powder Ø35	290186100XX	PELD	35,0	10,0
D2	Tamper evident closure Ø35	290186200XX	PELD	37,1	14,0
B1	Tube Ø24 x 51	290248100XX	PP COPO	24,2	81,5
E1	Closure for tube Ø24	290186700XX	PELD	25,0	11,5